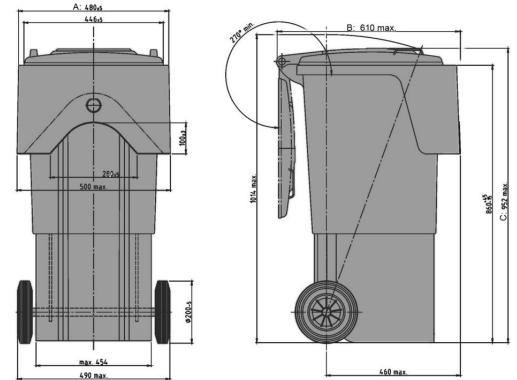




DU Container 60 - 240 l

80 l



Technical data

External Dimensions (mm)	A: 480 ±5	B: 610 max.	C: 952 max.
Volume (l)	80 l		
Material Body / Material Lid	PE / PE		
Holding Capacity (kg)	40 kg		
Available colours	grey, green, brown, blue, yellow, red		

Characteristics

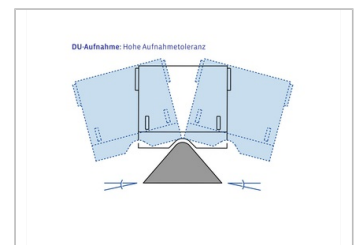
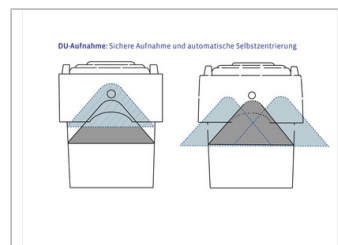
Container corresponds to:	DIN 30760, Directive 2000/14/EG	Extra equipment / Accessories Automatic lock Reflectors
Travelling gear:	Wheel Ø 200 mm (DU360: 250 mm), rubber-tired wheels, wheel axle from tempered, galvanized steel	
Receiver:	Diamond receiver	
Prepared for transponder:	Yes	

Loading quantities (Pcs / Approximate amount)

On request

Labelling

On the lid, on the body



*1 All specifications quoted are subject to change. Craemer reserve the right to make changes to product design and specification.

*2 Extra equipment, accessories, as well as other colors are available at extra cost and on request.