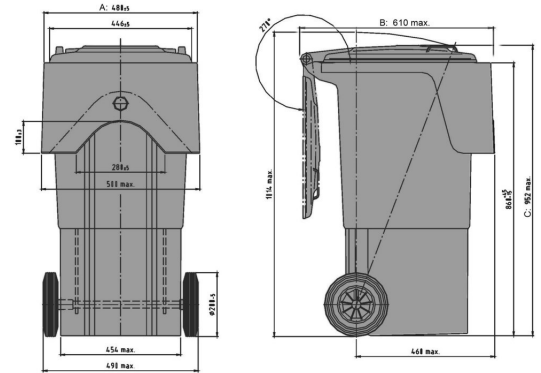




# DU Container 60 - 240 l

60 l



## Technical data

External Dimensions (mm)	<b>A:</b> 480 ±5	<b>B:</b> 610 max.	<b>C:</b> 952 max.
Volume (l)	60 l		
Material Body / Material Lid	PE / PE		
Holding Capacity (kg)	40 kg		
Available colours	grey, green, brown, blue, yellow, red		

## Characteristics

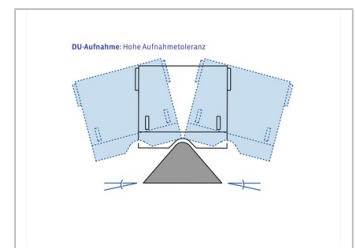
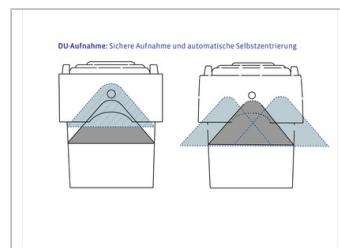
Characteristics	Extra equipment / Accessories
Container corresponds to: DIN 30760, Directive 2000/14/EG	Automatic lock
Travelling gear: Wheel Ø 200 mm (DU360: 250 mm), rubber-tired wheels, wheel axle from tempered, galvanized steel	Reflectors
Receiver: Diamond receiver	
Prepared for transponder: Yes	

## Loading quantities (Pcs / Approximate amount)

On request

## Labelling

On the lid, on the body



\*1 All specifications quoted are subject to change. Craemer reserve the right to make changes to product design and specification.

\*2 Extra equipment, accessories, as well as other colors are available at extra cost and on request.