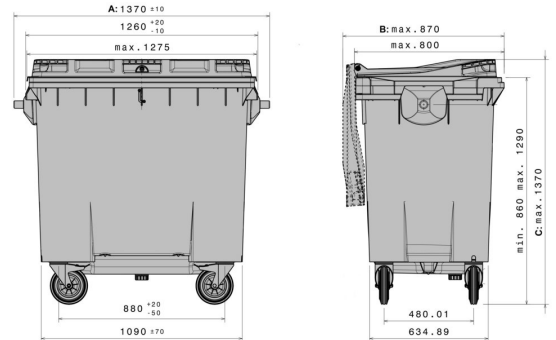




## MGBneo<sup>4</sup> 770 l clinical waste

Disposal of clinical waste according to UN3291



Technical Data* <sup>1</sup>			
External Dimensions (mm)	<b>Lenght (mm):</b> 1307	<b>Width (mm):</b> 870	<b>Height (mm):</b> 1370
Volume (l)	770 l		
Material Body / Material Lid	PE / PE		
Holding Capacity (kg)	 308kg		
Available colours	yellow		
Characteristics		Extra equipment / Accessories* <sup>2</sup>	
		Lids openable on both sides Automatic lock Reflectors Wheels 120-240 l = Ø 250 mm / 340 l = Ø 300 mm Paper aperture Glas aperture Lid lock	
Loading quantities (Pcs / Approximate amount)			
On request			
Labelling			
On the lid, on the body			



\*1 All specifications quoted are subject to change. Craemer reserve the right to make changes to product design and specification.

\*2 Extra equipment, accessories, as well as other colors are available at extra cost and on request.