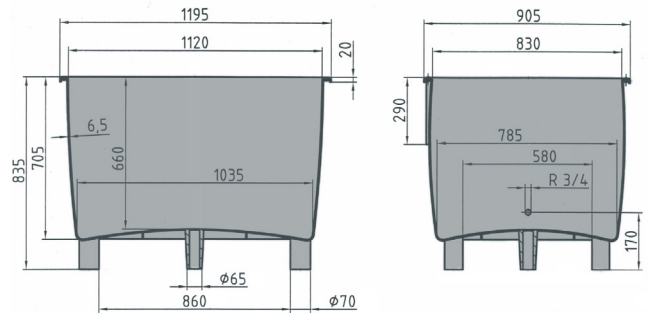


Large containers

650 l



Art. no. 81391110

Technical data *1	
External Dimensions L x W x H (mm)	1195 x 905 x 835
Internal Dimensions L x W x H (mm)	1120 x 830 x 705
Weight (kg)	24.0
Volume (l)	650
Material	HDPE
Load capacity (kg)	<div style="display: flex; justify-content: space-around;"> <div style="text-align: center;">  <p>Holding Capacity 650</p> </div> <div style="text-align: center;">  <p>Extra Load —</p> </div> </div>
Stacking height (mm)	<div style="display: flex; justify-content: space-around;"> <div style="text-align: center;">  <p>Nesting dimension —</p> </div> <div style="text-align: center;">  <p>Stacking dimension —</p> </div> </div>
Characteristics	Options
Colour: nature 5 feet Nestable, stackable with lid For temperatures ranging from -30°C to +40°C, briefly up to +90°C Resistant to most chemicals and cleaning agents Accessible with forklift and lift truck Food-safe. HACCP compliant	Lid
Loading quantities (pcs/approx.)	
On request.	
Labelling options	
Customised printing and numbering available on request depending on quantity. Position upon consultation.	



*1 All technical data include characteristic features which have been tested under specially defined conditions. Varying data may result from different conditions of usage such as loading method, prevailing temperature and length of storage time. Our serviceteam is pleased to be at your disposal to check the special requirements of your individual application.