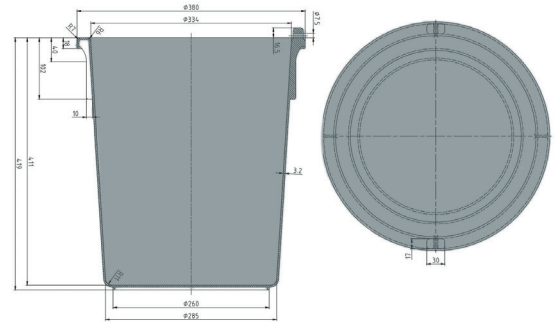








Buckets

30 l



Art. no. 81521111

Technical data *1			
External Dimensions L x W x H (mm)	Ø 380 (top) x 420		
Internal Dimensions L x W x H (mm)	Ø 330 (top) x 400		
Weight (kg)	1.8		
Volume (l)	30		
Material	HDPE, handles zinc-coated		
Load capacity (kg)	 Holding Capacity 30	 Extra Load —	
Stacking height (mm)	 Nesting dimension —	 Stacking dimension —	
Characteristics		Options	
Colour: nature Round, with steel handles Nestable For temperatures ranging from -30°C to +40°C, briefly up to +90°C Resistant to most chemicals and cleaning agents Food-safe. HACCP compliant		—	
Loading quantities (pcs/approx.)			
On request.			
Labelling options			
Customised printing and numbering available on request depending on quantity. Position upon consultation.			

*1 All technical data include characteristic features which have been tested under specially defined conditions. Varying data may result from different conditions of usage such as loading method, prevailing temperature and length of storage time. Our serviceteam is pleased to be at your disposal to check the special requirements of your individual application.