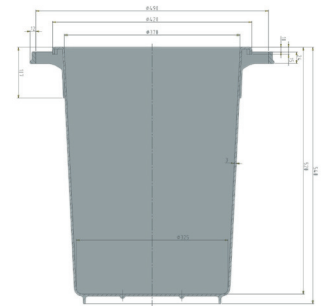


# Bins

50 l



Art. no. 81081110

Technical data *1			
External Dimensions L x W x H (mm)	Ø 420 x 540		
Internal Dimensions L x W x H (mm)	Ø 370 x 520		
Weight (kg)	2.0		
Volume (l)	50		
Material	HDPE		
Load capacity (kg)	 <b>Holding Capacity</b> 50	 <b>Extra Load</b> 105	
Stacking height (mm)	 <b>Nesting dimension</b> —	 <b>Stacking dimension</b> —	
Characteristics		Options	
Colour: nature Nestable, stackable with lid For temperatures ranging from -30°C to +40°C, briefly up to +90°C Resistant to most chemicals and cleaning agents Food-safe. HACCP compliant		Lid Trolley	
Loading quantities (pcs/approx.)			
On request.			
Labelling options			
Customised printing and numbering available on request depending on quantity. Position upon consultation.			



\*1 All technical data include characteristic features which have been tested under specially defined conditions. Varying data may result from different conditions of usage such as loading method, prevailing temperature and length of storage time. Our serviceteam is pleased to be at your disposal to check the special requirements of your individual application.