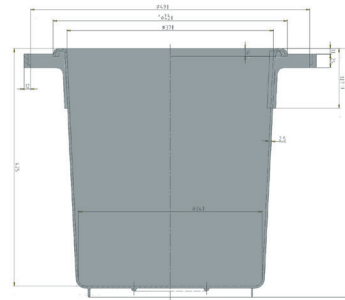




## Bins

40 l



Art. no. 81091110

### Technical data \*1

External Dimensions L x W x H (mm)    Ø 420 x 445

Internal Dimensions L x W x H (mm)    Ø 370 x 425

Weight (kg)    1.7

Volume (l)    40

Material    HDPE

Load capacity (kg)     **Holding Capacity**  
40

 **Extra Load**  
105

Stacking height (mm)     **When nested**  
105

 **When stacked**  
437

### Characteristics

Colour: nature  
Nestable, stackable with lid  
For temperatures ranging from -30 °C to +40 °C, briefly up to +90 °C  
Resistant to most chemicals and cleaning agents  
Food-safe. HACCP compliant

### Options

Lid  
Trolley

### Loading quantities (pcs/approx.)

On request.

### Labelling options

Customised printing and numbering available on request depending on quantity. Position upon consultation.



\*1 All technical data include characteristic features, which have been tested under specially defined conditions. Varying data may result from different conditions of usage such as loading method, prevailing temperature and length of storage time. All data and specified information are subject to change without notice. Our service team is pleased to be at your disposal to check the special requirements of your individual application.