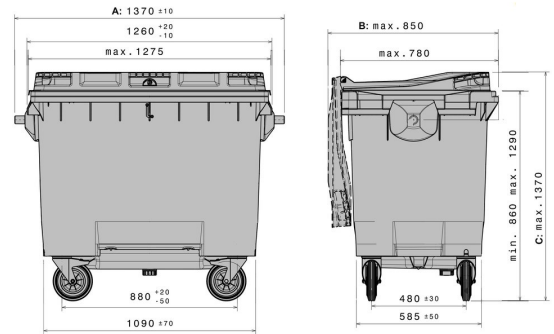




# MGBneo<sup>4</sup> 660 l

660 l



## Technical Data<sup>\*1</sup>

External Dimensions (mm)	<b>Length (mm):</b> 1370 ±10	<b>Width (mm):</b> max. 850	<b>Height (mm):</b> max. 1370
Volume (l)	660 l		
Material Body / Material Lid	PE / PE		
Holding Capacity (kg)	264kg		
Available colours	yellow, green, blue, red, anthracite		

## Characteristics

Container corresponds to:	EN 840, RAL-GZ 951/1
Travelling gear:	4 x Ø-200 mm castor wheels, standard equipped with wheel stop
Receiver:	Comb lift, trunnions
Prepared for transponder:	Yes

## Extra equipment / Accessories<sup>\*2</sup>

- Lock variants
- wheel variants
- directional locks for swivel castors
- labelling clips
- noise insulation
- glass aperture
- paper aperture
- foot pedal opener
- forklift pockets
- towing bar

## Loading quantities (Pcs / Approximate amount)

On request

## Labelling

On the lid, on the body



\*1 All specifications quoted are subject to change. Craemer reserve the right to make changes to product design and specification. Dimensions are stated according to DIN EN 840. Variations within the tolerances given in the norm are possible.

\*2 Extra equipment, accessories, as well as other colours are available at extra cost and on request.