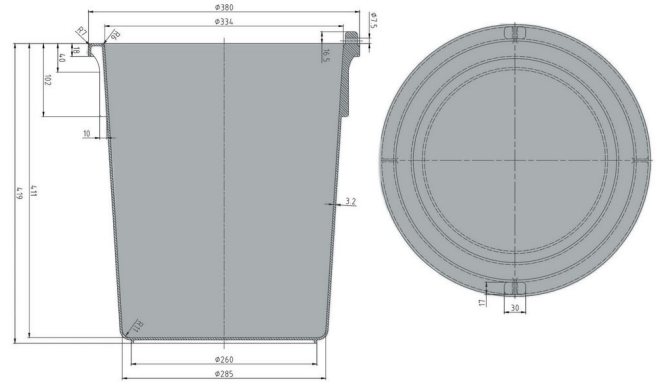








Bucket

30 l



Art.-Nr.: 90000431

Technical Data*1			
External Dimensions (mm)	Ø 380 (top) x 420	Internal Dimensions (mm)	Ø 330 (top) x 400
Weight (kg)	1.8 kg		
Volume (l)	30 l		
Material*2	PE, handles zinc-coated		
Load capacity (kg)	 Holding Capacity 30kg	 Extra Load	
Stacking height (mm)	 When nested 105mm	 When stacked	
Characteristics		Options	
Colour: nature Round, with steel handles Nestable For temperatures ranging from -30 °C to +40 °C, briefly up to +90 °C Resistant to most chemicals and cleaning agents Food-safe. HACCP compliant		-	
Loading quantities (Pcs / Approximate amount)			
On request			
Labelling			
Customised printing and numbering available on request depending on quantity (except trolleys). Position upon consultation.			

*1 All technical data include characteristic features, which have been tested under specially defined conditions. Varying data may result from different conditions of usage such as loading method, prevailing temperature and length of storage time. All data and specified information are subject to change without notice. Our service team is pleased to be at your disposal to check the special requirements of your individual application.

*2 Our service team is pleased to be at your disposal if you require exact information about material compositions.

*3 Holding capacity: at a room temperature of approx. 20 °C.