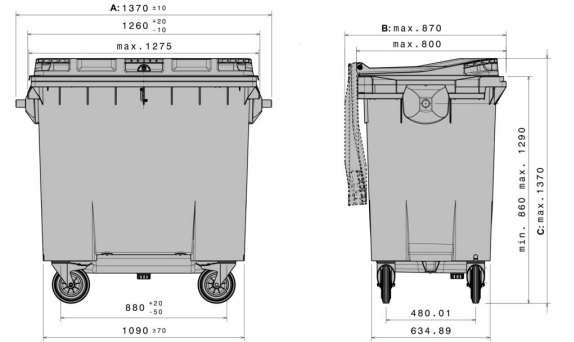





## Disposal of clinical waste according to UN3291

Disposal of clinical waste according to UN3291



### Technical data

External Dimensions L x W x H (mm)	<b>A:</b> 1307	<b>B:</b> 870	<b>C:</b> 1370
Volume (l)	770 l		
Material Body / Material Lid	PE / PE		
Holding Capacity (kg)	 308 kg		
Available colours	yellow		

### Characteristics

### Extra equipment / Accessories

- Lids openable on both sides
- Automatic lock
- Reflectors
- Wheels 120-240 l = Ø 250 mm / 340 l = Ø 300 mm
- Paper aperture
- Glas aperture
- Lid lock

### Loading quantities (Pcs / Approximate amount)

On request

### Labelling

On the lid, on the body



\*1 All specifications quoted are subject to change. Craemer reserve the right to make changes to product design and specification.

\*2 Extra equipment, accessories, as well as other colors are available at extra cost and on request.