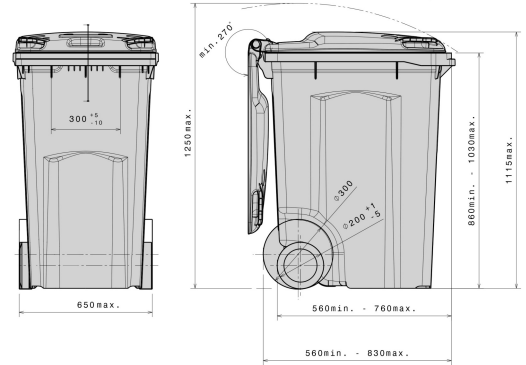



MGBneo

340 l / 360 l



Technical data

External Dimensions L x W x H (mm)	A: 590 ±20	B: 880 max.	C: 1150 max.
Volume (l)	340 l / 360 l		
Material Body / Material Lid	PE / PE		
Holding Capacity (kg)	 136 kg / 144 kg		
Available colours	grey, green, brown, blue, yellow, red		

Characteristics

Container corresponds to:	EN 840, RAL-GZ951/1, Directive 2000/14/EG
Travelling gear:	External, wheel Ø 200 mm, rubber tired wheels, wheel axle from tempered, galvanized steel
Receiver:	Comb lift
Prepared for transponder:	Yes

Extra equipment / Accessories

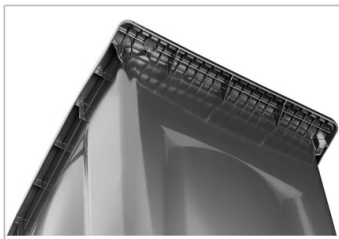
Automatic lock
Wheels Ø 300 mm
Paper aperture
Glas aperture
Lid lock

Loading quantities (Pcs / Approximate amount)

On request

Labelling

On the lid, on the body



*1 All specifications quoted are subject to change. Craemer reserve the right to make changes to product design and specification.

*2 Extra equipment, accessories, as well as other colors are available at extra cost and on request.